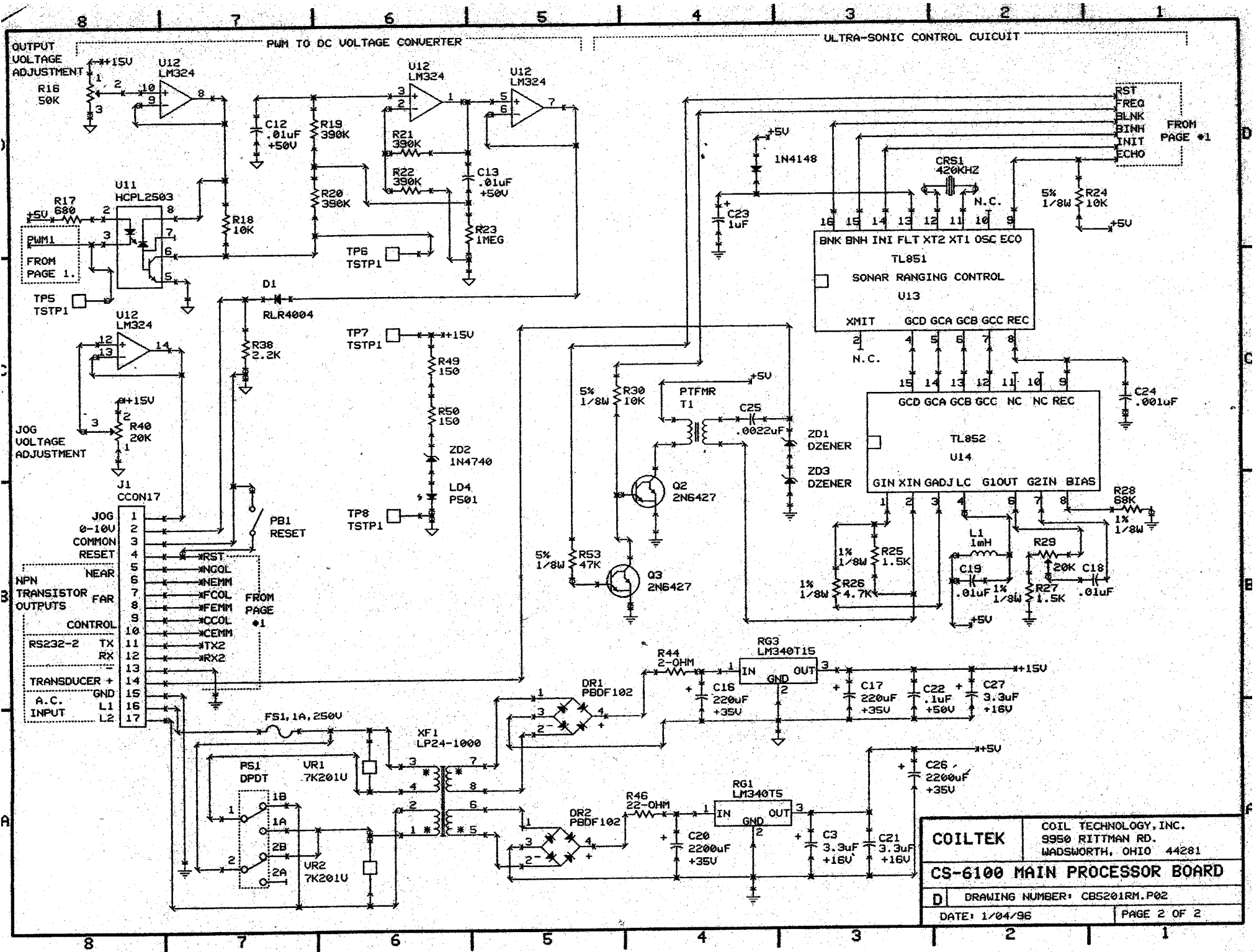


COILTEK		COIL TECHNOLOGY, INC. 9950 RITTMAN ROAD WADSWORTH, OHIO 44281	
CS-6100 MAIN PROCESSOR BOARD			
D DRAWING NUMBER: CBS20IRM.P01			
DATE: 1/04/96		PAGE 1 OF 2	



COILTEK	COIL TECHNOLOGY, INC. 9950 RITTMAN RD. WADSWORTH, OHIO 44281
CS-6100 MAIN PROCESSOR BOARD	
D DRAWING NUMBER: CBS201RM.P02	
DATE: 1/04/96	PAGE 2 OF 2