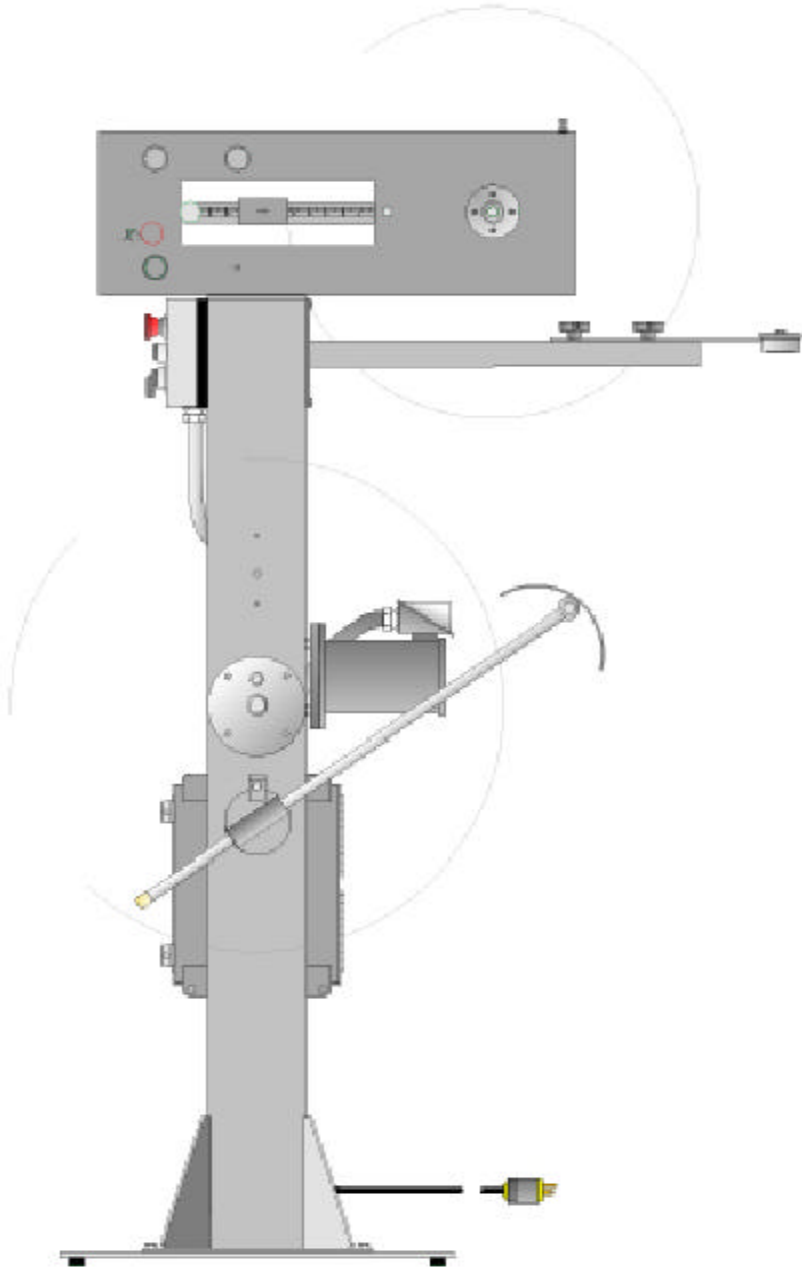
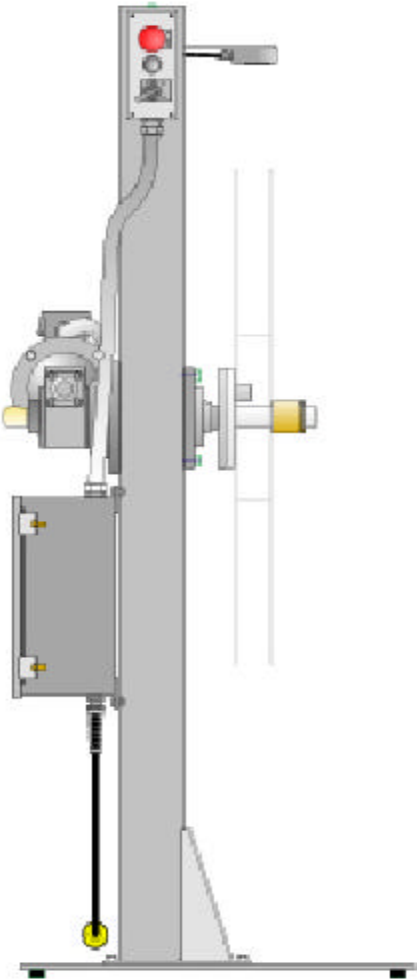
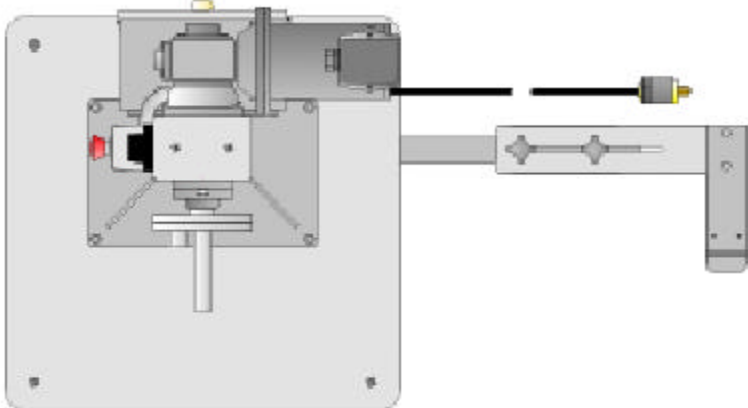


## **coiltek** CR-352 Wind Stand

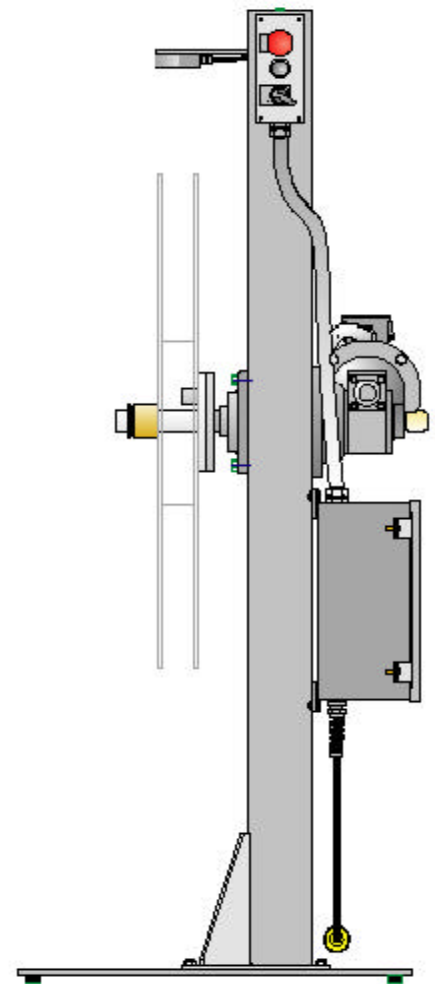
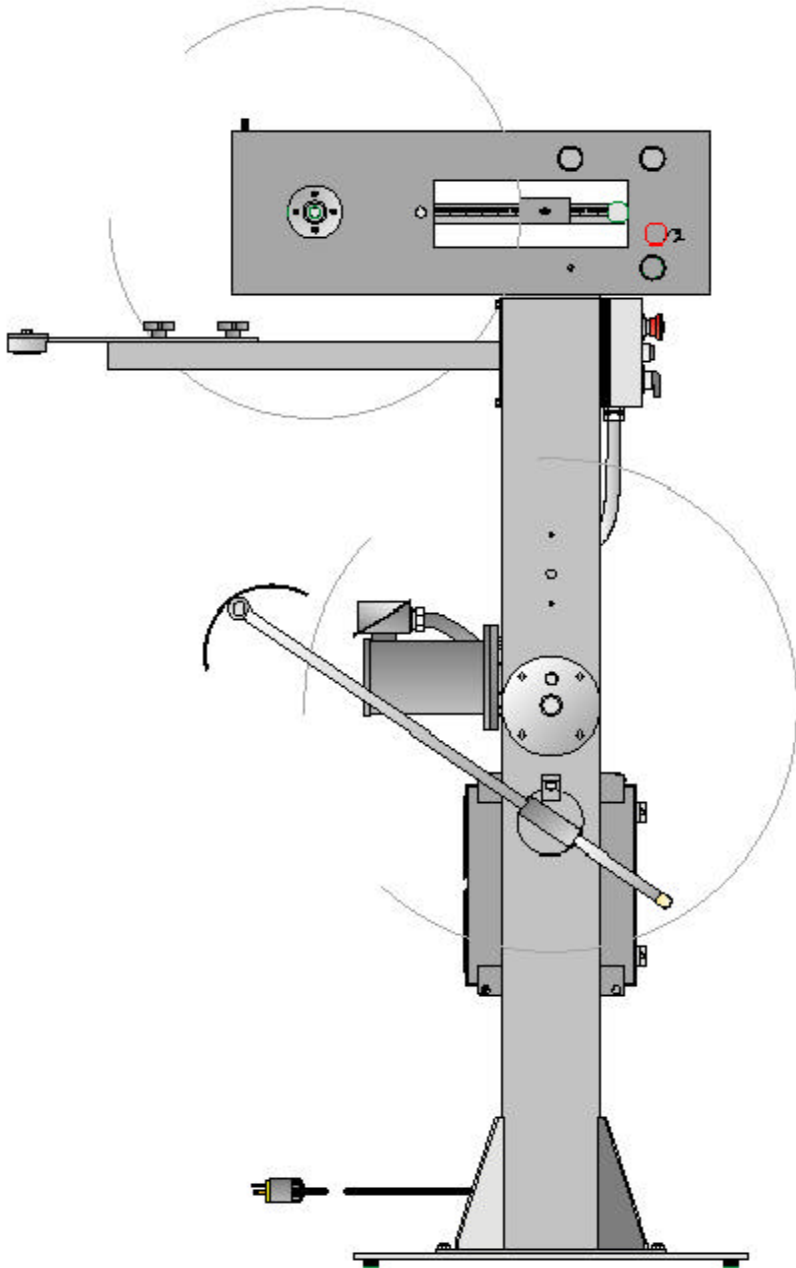
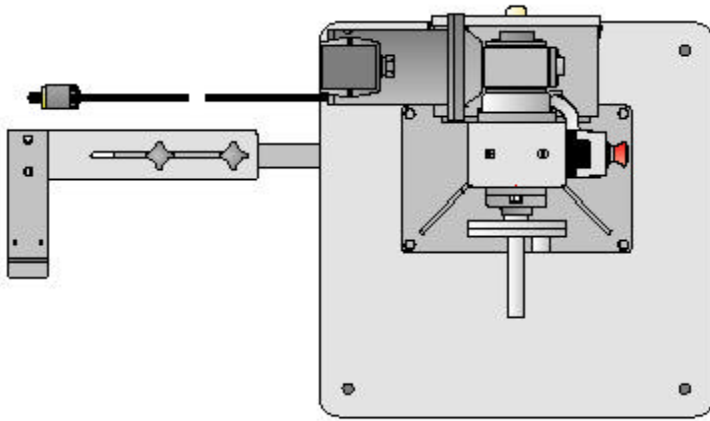
Model CR-352-15-LP for left-to-right payout application shown.

coiltek



**Model CR-352 Reel Stand**  
**Right to Left Configuration**

coiltek



**Model CR-352 Reel Stand**  
**Left to Right Configuration**